

Zubax Heidy 300



Zubax Robotics

Akadeemia rd. 21/1, Tallinn 12618, Estonia

info@zubax.com

Q&A: forum.zubax.com

Revision 2022-10-24

Overview

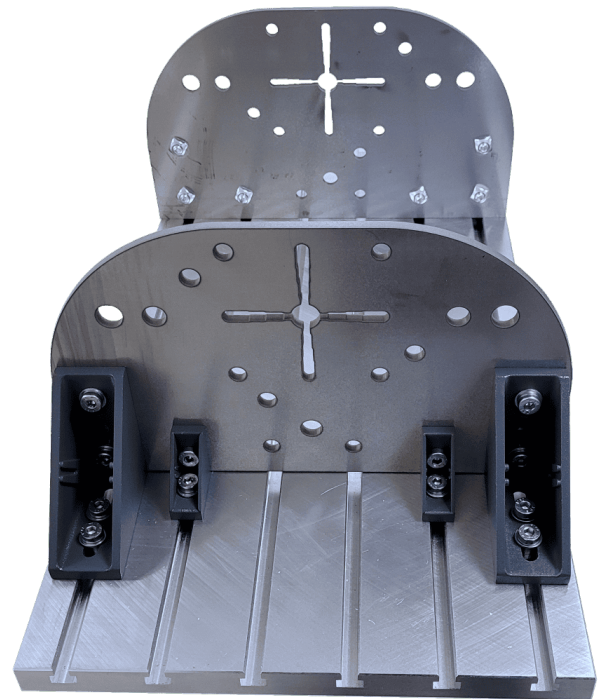
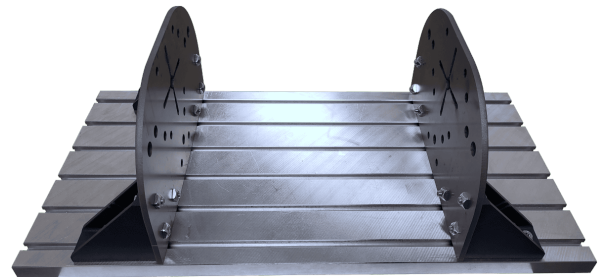
Zubax Heidy 300 is an electric motor test rig designed for testing, tuning, and evaluation of electric motors and electric motor controllers. It is arranged in the coaxial configuration with two motors facing each other and mechanically coupled, such that one of the motors acts as the load for the other; alternatively, the load can be implemented as a hysteresis brake or a similar mechanism. Note that neither the motor nor the brake is included.

The motor mounting plates are compatible with a subset of IEC 60072 frames as well as the majority of drone motors, thanks to the universal mounting fixture. Refer to the drawing for details.

A small set of commonly used shaft couplers is included for quick start purposes. Please contact sales@zubax.com if any additional options are of interest.

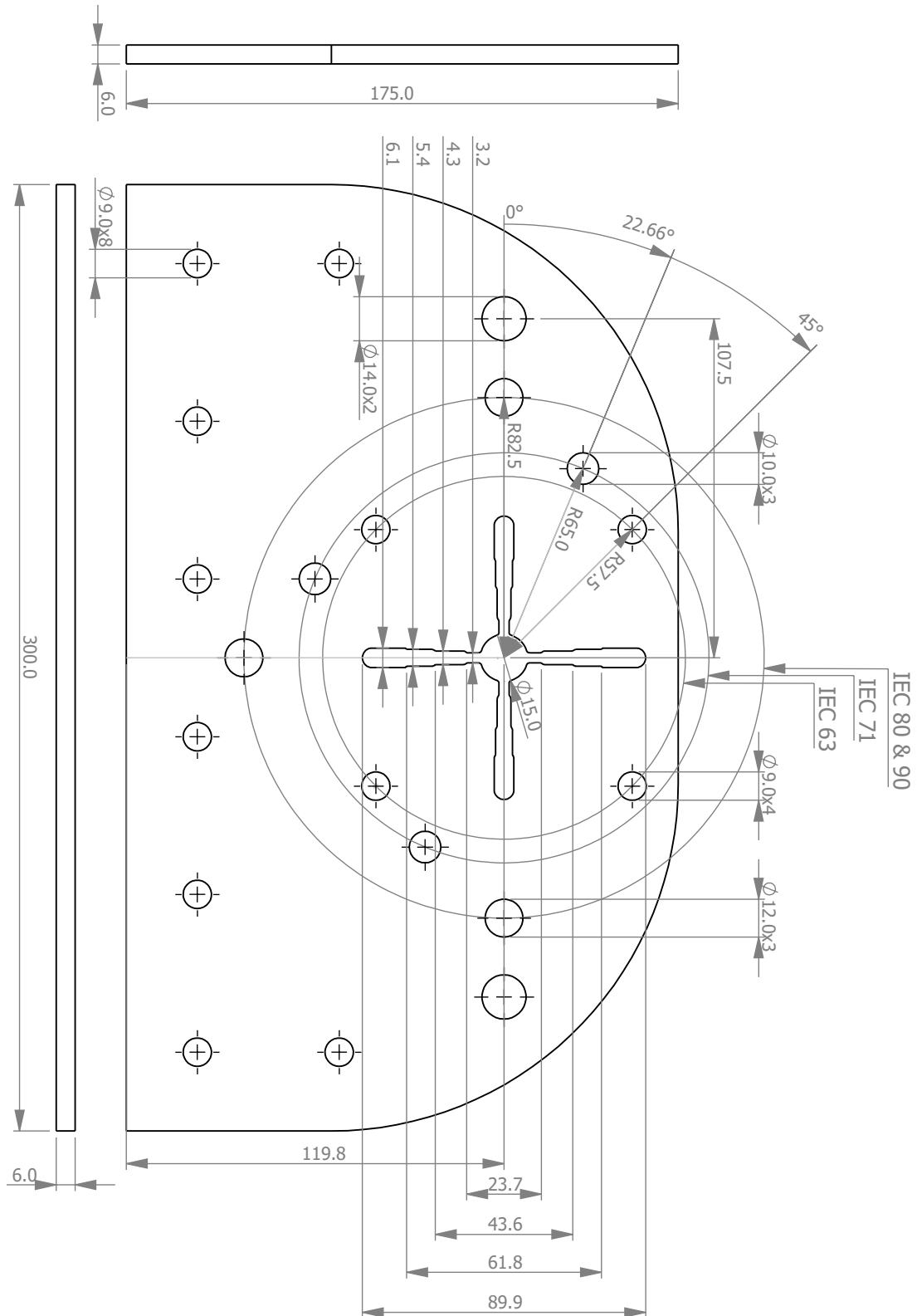
Characteristics

- Dimensions: 600x300x195mm
- Mass: 14 kg
- Minimum and maximum motor mounting plate separation: 10-400mm
- Maximum torque: 500 Nm
- Follows the IEC 60072 standard; fully supports IEC 63; partially supports IEC 71, 80, 90.



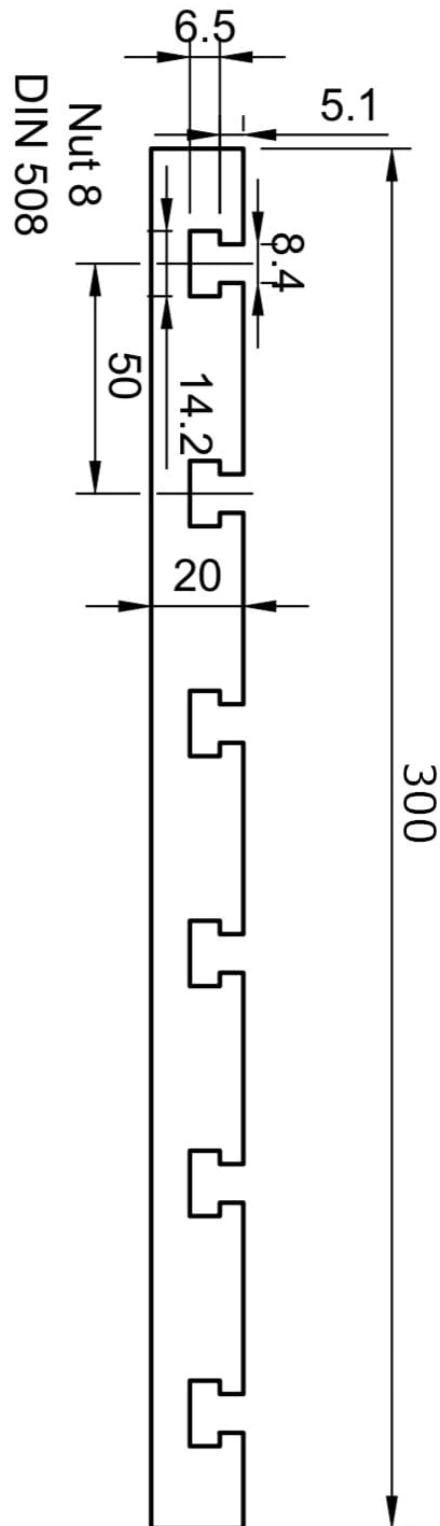
Motor mount

- Material: Stainless Steel
- Dimensions: 300x6x175mm



T-slot plate

- Material: Cast Aluminium
- Dimensions: 600x300x20mm



Included components

- Universal joint: 6x4/5/6/8mm, 10x8/10mm
- Flexible coupling: 6x3/4/5/6/7/8/10mm, 10x4/5/6/8/10mm
 - Torque limit: 0.6 Nm
- Rod: 6/10x1000mm — can be cut to the desired length



Application example

